

1

2

3

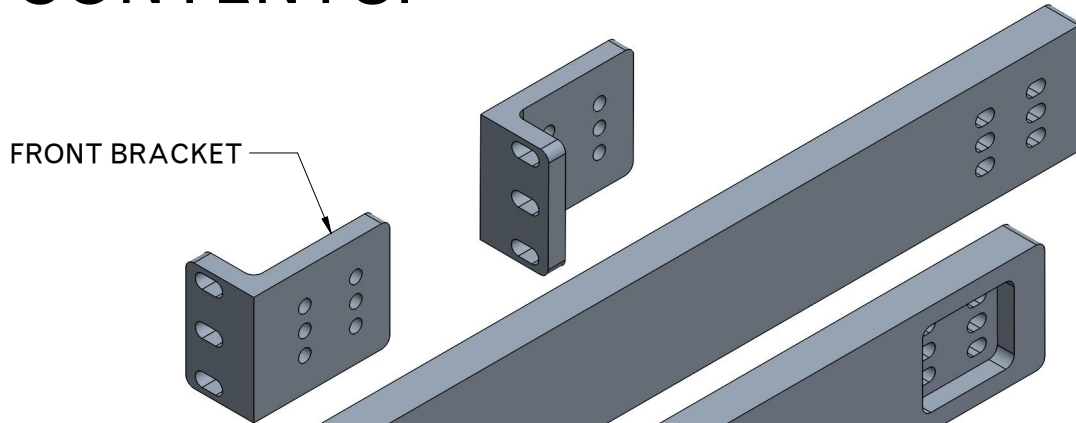
4

### REVISIONS

REV	DESCRIPTION	DATE	APPROVED
A	INITIAL RELEASE PER ECO 20-26670	06/10/20	K.DUBROWN

# KIT CONTENTS:

FRONT BRACKET



#### KIT CONTAINS:

- QTY: 2 - FRONT BRACKET
- QTY: 2 - REAR BRACKET
- QTY: 24 - 8-32 THREAD x 1/2" LENGTH PAN HEAD, PHILIPS MACHINE SCREW, 18-8 SS. (HEAD DIAMETER MUST NOT EXCEED 0.313")
- QTY: 12 - 10-32 THREAD x 1/2" LENGTH PAN HEAD, PHILIPS MACHINE SCREW, 18-8 SS

A

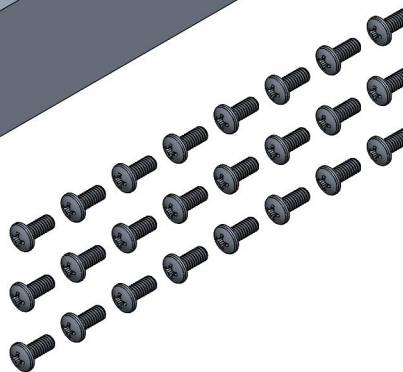
A

B

B

REAR BRACKET

24X 8-32 MACHINE SCREWS



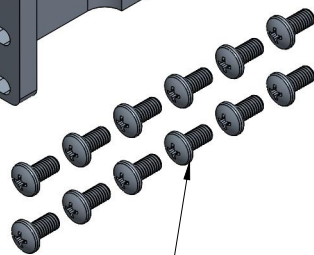
#### NOTES:

- (1-1) REFERENCE SYNQOR SPECIFICATION: 554-1000036
- (1-2) WEIGHT: 2.00 lbs. (0.907 kg)
- (1-3) SHEET 1 DETAILS KIT CONTENTS
- (1-4) SHEETS 2 & 3 DETAIL ASSEMBLY PROCESS
- (1-5) SHEET 4 DETAILS FRONT BRACKETS
- (1-6) SHEET 5 DETAILS REAR BRACKETS

C

C

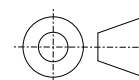
12X 10-32 MACHINE SCREWS



#### TOLERANCES:

Unless otherwise specified:  
 All dimensions in inches  
 .X +/- .025  
 .XX +/- .010  
 .XXX +/- .005  
 Angles +/- 1°

THIRD ANGLE PROJECTION



THIS DRAWING IS THE PROPERTY OF SYNQOR INC.  
 It is not to be reproduced or copied, in whole or in part, or used for furnishing information to others, or for any purpose detrimental to the interests of SynQor. The information shown herein may be protected by patents owned or controlled by SynQor.



155 Swanson Road  
 Boxborough, MA 01719

## 1U MPC SHALLOW RACK HARD MOUNT KIT (24 IN RACK DEPTH)

SOURCE: PRO/E SYN-9055

SIZE	DATE	DWG. NO.	REV
A	JUN-10-20	SYN-9055	A

SCALE: 0.500    DRAWN: KJD    CHECK:    SHEET 1 of 5

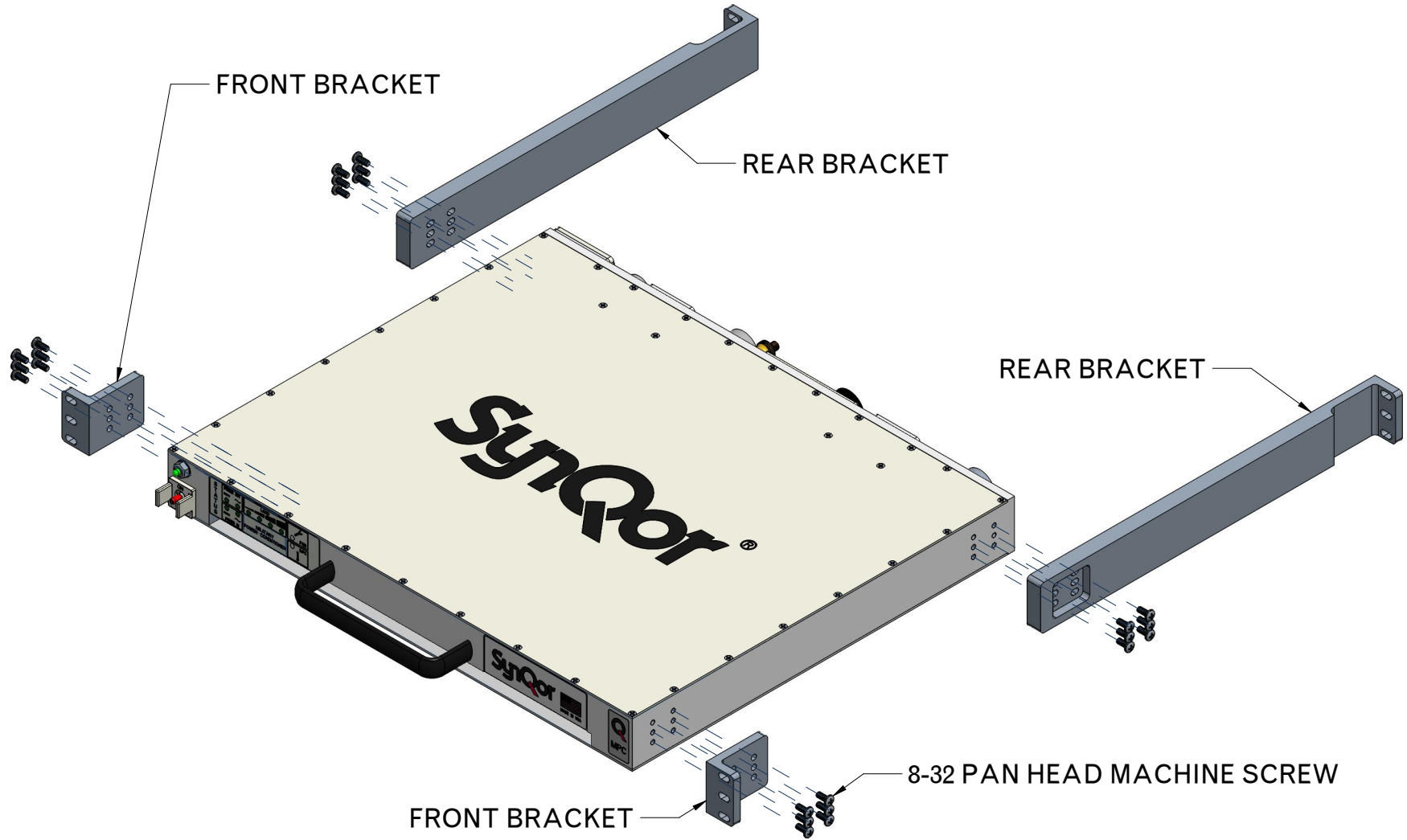
1

2

3

4

# BRACKET - CHASSIS MOUNT DIAGRAM:

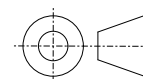


**TOLERANCES:**

Unless otherwise specified:  
All dimensions in inches

- .X +/- .025
- .XX +/- .010
- .XXX +/- .005
- Angles +/- 1°

THIRD ANGLE PROJECTION



THIS DRAWING IS THE PROPERTY OF SYNQOR INC.  
It is not to be reproduced or copied, in whole  
or in part, or used for furnishing information  
to others, or for any purpose detrimental to the  
interests of SynQor. The information shown herein  
may be protected by patents owned or controlled by SynQor.



155 Swanson Road  
Boxborough, MA 01719

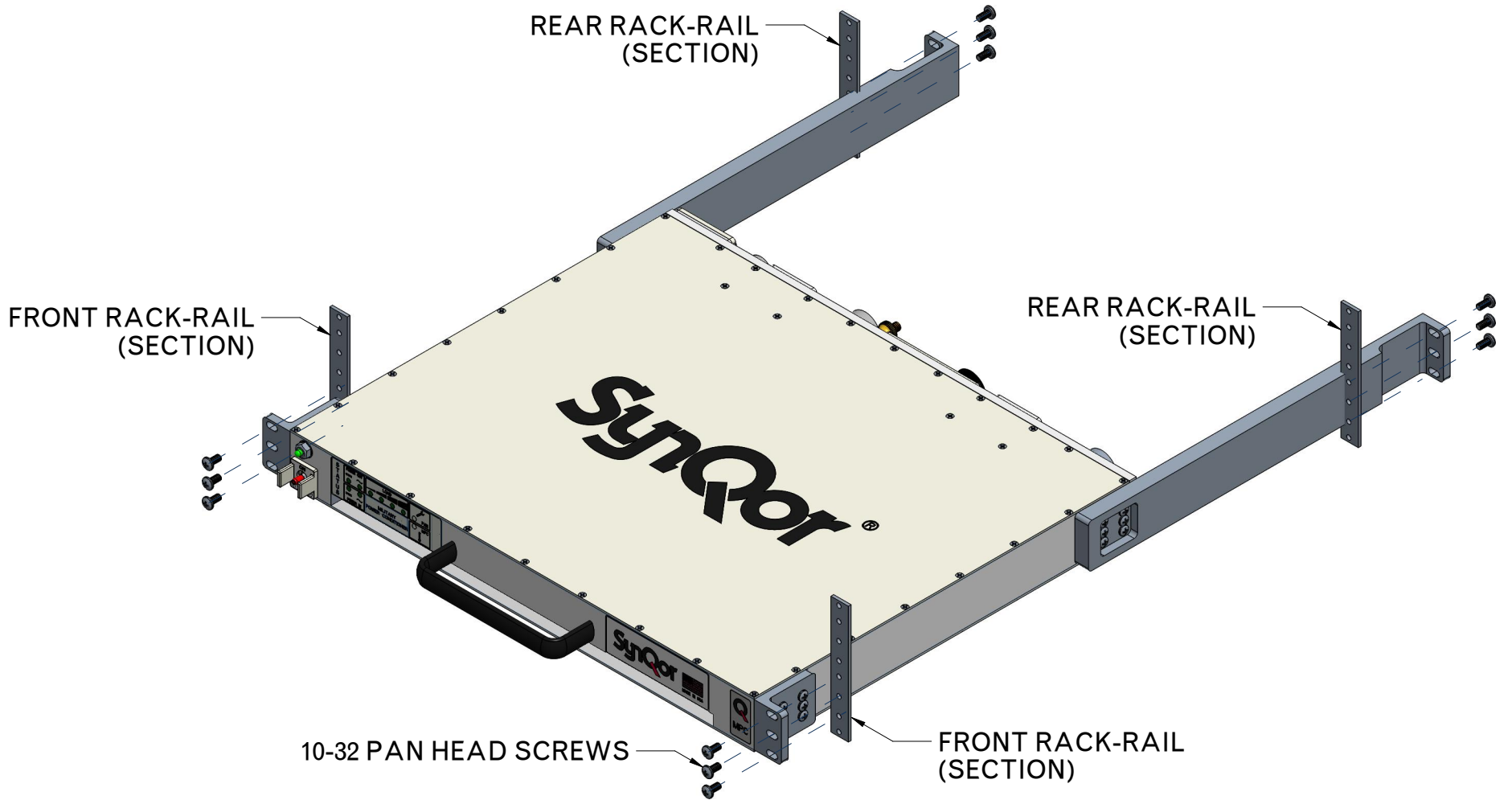
**1U MPC SHALLOW RACK  
HARD MOUNT KIT (24 IN RACK DEPTH)**

SOURCE: PRO/E SYN-9055

SIZE	DATE	DWG. NO.	REV
A	JUN-10-20	SYN-9055	A

SCALE: 0.250    DRAWN: KJD    CHECK:    SHEET 2 of 5

# BRACKET - RACK MOUNT DIAGRAM:

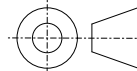


### TOLERANCES:

Unless otherwise specified:  
All dimensions in inches

- .X +/- .025
- .XX +/- .010
- .XXX +/- .005
- Angles +/- 1°

THIRD ANGLE PROJECTION



THIS DRAWING IS THE PROPERTY OF SYNQOR INC.  
It is not to be reproduced or copied, in whole  
or in part, or used for furnishing information  
to others, or for any purpose detrimental to the  
interests of SynQor. The information shown herein  
may be protected by patents owned or controlled by SynQor.

**SynQor**

155 Swanson Road  
Boxborough, MA 01719

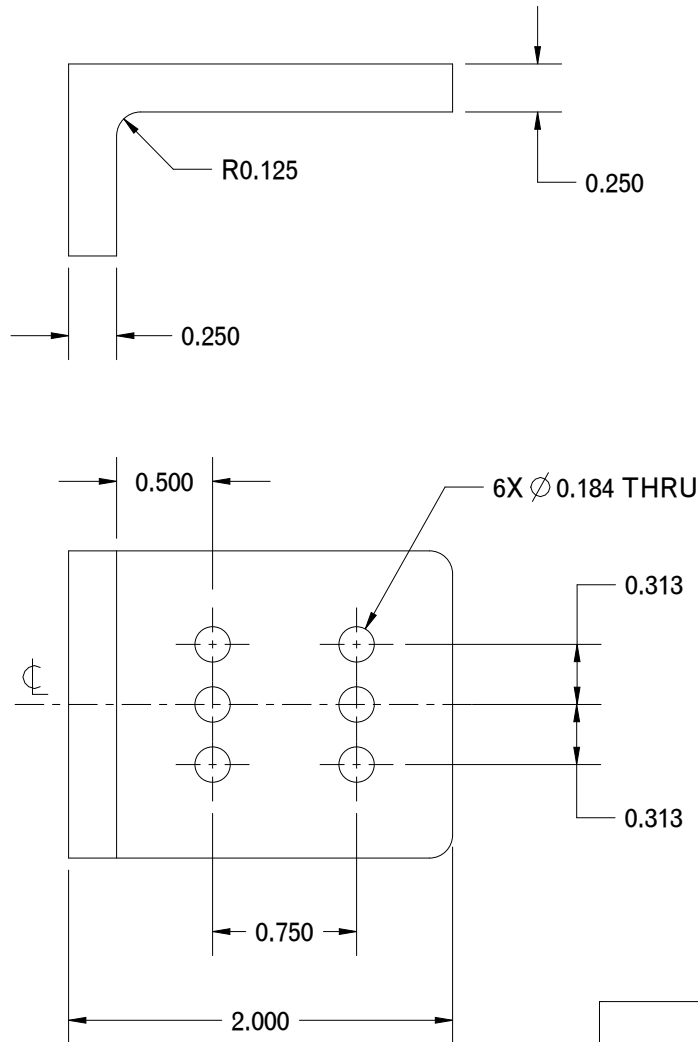
## 1U MPC SHALLOW RACK HARD MOUNT KIT (24 IN RACK DEPTH)

SOURCE: PRO/E SYN-9055

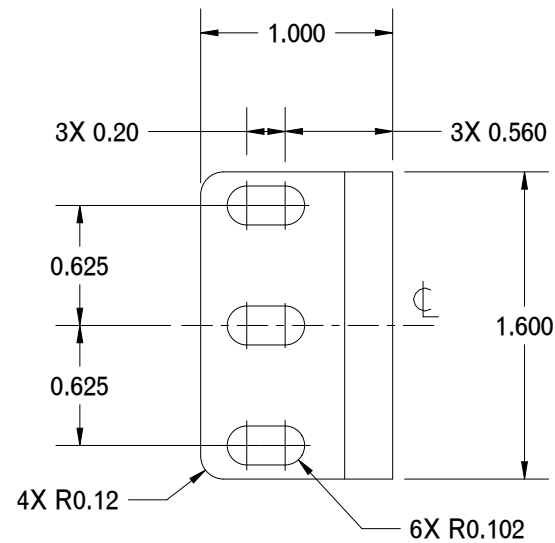
SIZE	DATE	DWG. NO.	REV
A	JUN-10-20	SYN-9055	A

SCALE: 0.250    DRAWN: KJD    CHECK:    SHEET 3 of 5

# FRONT BRACKET (2 PER KIT):



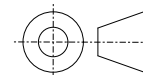
- NOTES:**  
 (4-1) MATERIAL: 6061-T6 ALUMINUM  
 (4-2) FINISH: CLEAR ANODIZED  
 (4-3) REMOVE BURRS AND BREAK SHARP EDGES



**TOLERANCES:**

Unless otherwise specified:  
 All dimensions in inches  
 .X +/- .025  
 .XX +/- .010  
 .XXX +/- .005  
 Angles +/- 1°

THIRD ANGLE PROJECTION



THIS DRAWING IS THE PROPERTY OF SYNQOR INC.  
 It is not to be reproduced or copied, in whole  
 or in part, or used for furnishing information  
 to others, or for any purpose detrimental to the  
 interests of SynQor. The information shown herein  
 may be protected by patents owned or controlled by SynQor.



155 Swanson Road  
 Boxborough, MA 01719

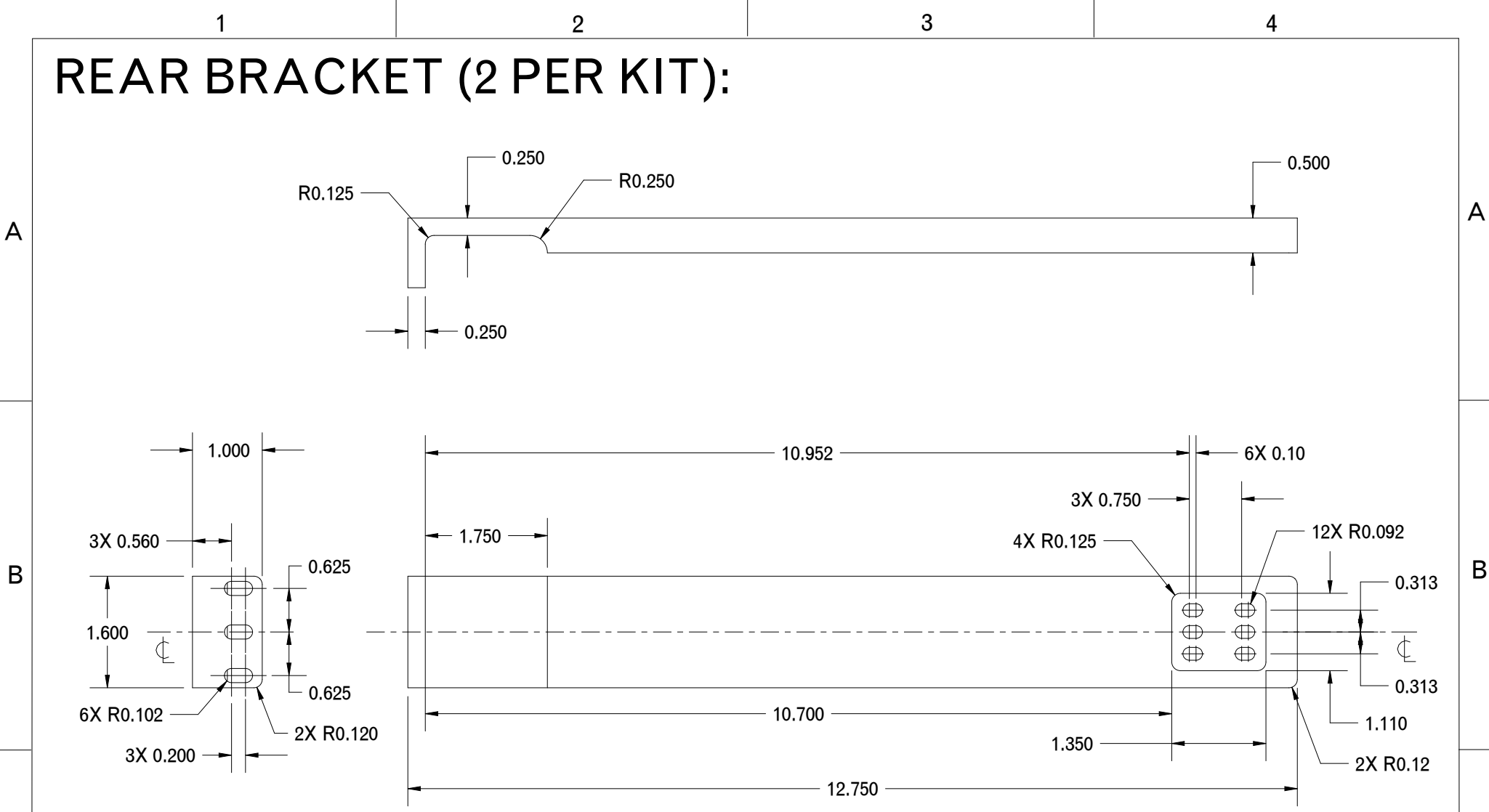
**1U MPC SHALLOW RACK  
 HARD MOUNT KIT (24 IN RACK DEPTH)**

SOURCE: PRO/E 554-1000036\_FRONT

SIZE	DATE	DWG. NO.	REV
A	JUN-10-20	SYN-9055	A

SCALE: 1.000    DRAWN: KJD    CHECK:    SHEET 4 of 5

# REAR BRACKET (2 PER KIT):



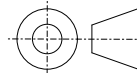
**NOTES:**  
 (5-1) MATERIAL: 6061-T6 ALUMINUM  
 (5-2) FINISH: CLEAR ANODIZED  
 (5-3) REMOVE BURRS AND BREAK SHARP EDGES

**TOLERANCES:**

Unless otherwise specified:  
 All dimensions in inches

.X +/- .025  
 .XX +/- .010  
 .XXX +/- .005  
 Angles +/- 1°

THIRD ANGLE PROJECTION



THIS DRAWING IS THE PROPERTY OF SYNQOR INC.  
 It is not to be reproduced or copied, in whole  
 or in part, or used for furnishing information  
 to others, or for any purpose detrimental to the  
 interests of SynQor. The information shown herein  
 may be protected by patents owned or controlled by SynQor.



155 Swanson Road  
 Boxborough, MA 01719

**1U MPC SHALLOW RACK  
 HARD MOUNT KIT (24 IN RACK DEPTH)**

SOURCE: PRO/E 554-1000036\_REAR

SIZE	DATE	DWG. NO.	REV
A	JUN-10-20	SYN-9055	A

SCALE: 0.500    DRAWN: KJD    CHECK:    SHEET 5 of 5